



FEATURES

- 1 HEAVY-DUTY STEEL CONSTRUCTION**
Rugged and secure all-steel construction with plenty of slots for ventilation.
- 2 FULLY ASSEMBLED**
Ships to you fully assembled and ready to go. Includes heavy duty casters.
- 3 PERFECTLY PROPORTIONED**
The top rack is perfectly sized for a mixer with 12 spaces at 5" (127 mm) deep.
- FINISH OPTION**
Black Powder Coat (panels)
Silver Powder Coat (frame)

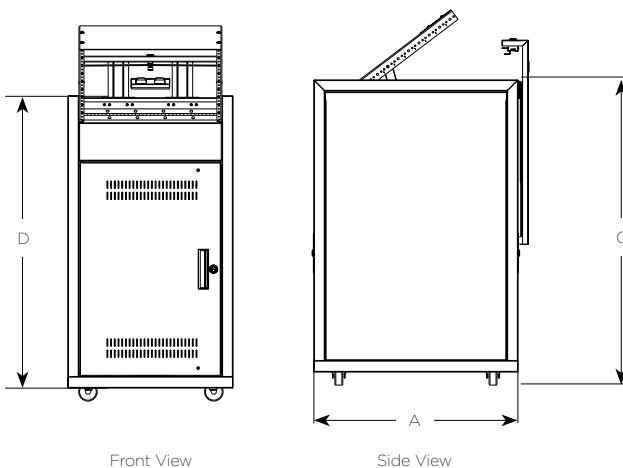


ORDERING OPTIONS

Model	Rack Height	Depth (A)	Usable Depth	Height w/ Casters (C)	Height w/o Casters (D)
ECR-12\16ST	28 space (16U + 12U)	27.5" (699 mm)	21" (533 mm)	41.5" (105.4 cm)	38.56" (979.43 mm)
ECR-12\16ST*	28 space (16U + 12U)	27.5" (699 mm)	21" (533 mm)	41.5" (105.4 cm)	38.56" (979.43 mm)

* **Note:** Includes optional side shelf pre-installed.

TECHNICAL DRAWINGS



RECOMMENDED ACCESSORIES



ECR-ST-SHELF ■ Steel Shelf



ECR-12\16STPS ■ Podium Shelf

For a complete list of rack accessories see page **172**.