



## FEATURES

- 1 CUSTOMIZABLE SOLUTION**  
Mix and match a variety of components to configure a custom solution, tailored to your specific needs.
- 2 INTEGRATED CABLE MANAGEMENT**  
Easily route cables from monitors, CPUs and other components through integrated cable channels for a professional appearance.
- 3 HEIGHT ADJUSTABLE**  
Provides 4 - 6' range of tool-free height adjustment for perfect component positioning and ergonomic alignment.
- 4 HEAVY-DUTY WORK SURFACE**  
Large, heavy-duty work surface supports a variety of audio peripherals.



QMP1PK1B shown.

## PRECONFIGURED PACKAGES

Model	Finish	Includes
QMP1PK1B	Ebony Fleck	QMP1MB, Mobile Base QMP1C, CPU Mount QMP1MM1, Single Monitor Mount
QMP1PK1H	Mahogany	QMP1T(B/H), Table Top QMP1K(B/H), Keyboard Tray

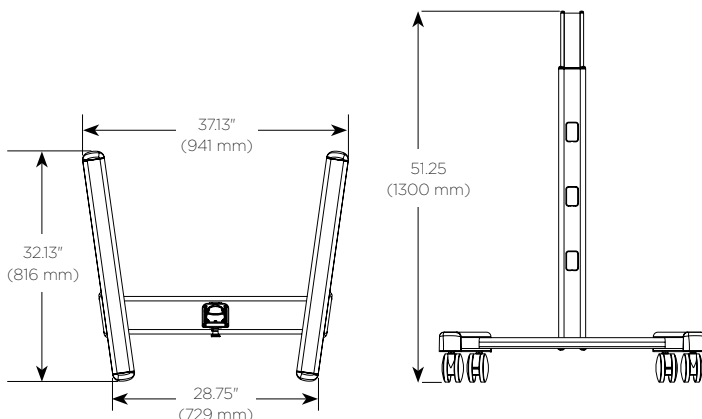
## KIT ORDERING OPTIONS

Create your own custom configuration. Start with the Mobile Base and add on accessories. See page 174 for a complete list of accessory options.



Model	Finish	Description
QMP1MB	Ebony Fleck	Mobile Base

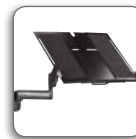
## TECHNICAL DRAWINGS



## RECOMMENDED ACCESSORIES



**QMP1MK** ■ Music Keyboard Stand



**QMP1L** ■ Laptop Mount



**QMP1MM2** ■ Dual Monitor Mount

For a complete list of rack accessories see page 172.