



## FEATURES

- 1 RETROFIT DESIGN**  
Installs directly to the wall over pre-existing whiteboards or chalkboards, including marker trays, without causing damage.
- 2 DUAL LATERAL SHIFT OPTIONS**  
Mount shifts left/right at the wall installation. Additional adjustment can be achieved by sliding the uprights and interactive board left/right along the mount crossbar.
- 3 PRECISION PLACEMENT**  
Macro and micro height adjustments provide ease of installation and perfect positioning.
- 4 STABLE INSTALLATION**  
Adjustable feet hold the board in place, ensuring a stable writing surface.

## WHAT YOU NEED TO KNOW

### COMPATABILITY

Designed for use with SMART™ 600 and 800 Series interactive boards.

### RELATED PRODUCTS



#### WP21S / WP21US

Wall mount accessory / Kit  
 - Max. extension 2.38 - 23.78" (60 - 604 mm)  
 - Weight Cap. 25 lbs (11.3 kg)



#### WM210S / WM210AUS

Wall mount accessory / Kit  
 - Max. extension 12.75 - 19.5" (324 - 495 mm)  
 - Weight Cap. 50 lbs (22.7 kg) / 25 lbs (11.3 kg)

## SPECIFICATIONS

Dimensions (HxWxD)	47 x 46.93 x 4.92" (1196 x 1192 x 125 mm)
Weight Capacity	75 lbs (34 kg)
Color	Silver

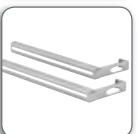
## RECOMMENDED ACCESSORIES



**WBAP** ■ Smartboard Projector Platform

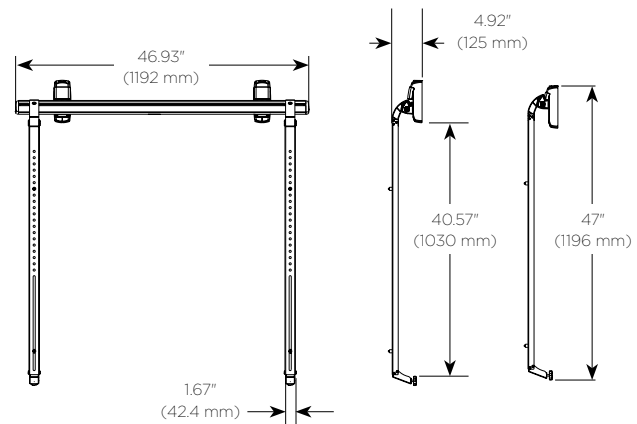


**WBAU** ■ Whiteboard Universal Adapter Kit



**WBAE** ■ Whiteboard Mount Extender Kit

## TECHNICAL DRAWINGS



For a complete list of projector mount accessories see page 21.