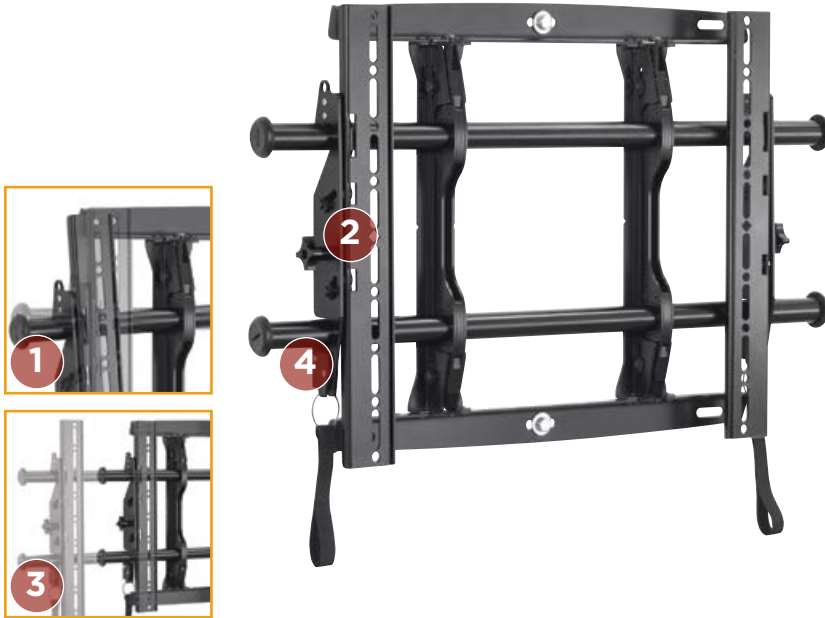




TILT WALL MOUNTS

MTM 26 - 47" MICRO-ADJUSTABLE TILT MOUNT

FUSION® SERIES



FEATURES

- 1 CONTROLZONE™ LEVELING**
Industry-first feature allows post-installation fine tuning of height and leveling, up to 0.5" (13 mm) adjustment up or down.
- 2 CENTRIS™ LOW-PROFILE TILT**
Centris fingertip tilt technology uses the center of gravity to balance the screen while maintaining a low profile under 2" (51 mm) deep! Screen angle stays set in place until readjusted.
- 3 CENTERLESS™ SHIFT**
Provides up to 14.5" (368 mm) of post-installation lateral shift - 7.25" (184 mm) left/right of uprights - for limitless centering capabilities.
- 4 CLICKCONNECT™**
Hear an audible click when the screen safely engages with the mount. A built-in cable stand provides easy access under the screen.

WHAT YOU NEED TO KNOW

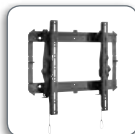
MULTIPLE INSTALLATION OPTIONS

Installation options include: single- or dual-stud mounting on 16" centers.

OTHER PRODUCT OPTIONS



MTA
FUSION™ Wall Mount
- For flat panels 26-47"



RMT2
FIT™ Hinge Mount
- For flat panels 26-42"



MWC
Tilt Wall Mount with CPU Storage (up to 40")

SPECIFICATIONS

Tilt*	-12°
Max Lateral Shift	14.5" (368 mm)
Mounts on Studs	single stud or 16" centers
Dimensions (HxWxD)	16.53 x 25.44 x 1.99" (420 x 646 x 51 mm)
Max Mounting Pattern (H,W)	15.75" (400 mm) 26.18" (665 mm)
Color	Black
Weight Capacity	75 lbs (34 kg), single stud 125 lbs (57 kg), dual stud

*Varies with screen height.

RECOMMENDED ACCESSORIES



FVS250 ■ 12" (305 mm) Video Conferencing Shelf - above



PAC521P ■ In-Wall Box with Power Outlet Conditioner



FCS100 ■ Single Component Shelf - below

For a complete list of FUSION accessories see pages 86 - 88.

TECHNICAL DRAWINGS

