



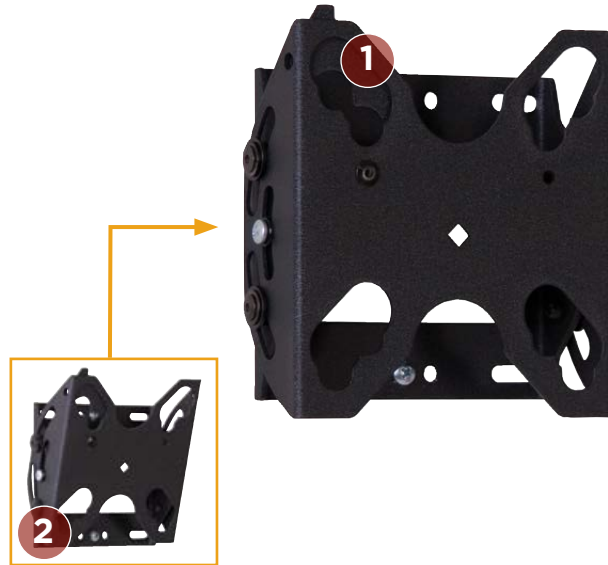
## FEATURES

### 1 Q-LATCH® MOUNTING SYSTEM

Flat panel secures to mount with a latching flag. Easy to connect/disconnect – no tools needed! Protect display by adding a padlock.

### 2 CENTRIS® FINGERTIP TILT

Effortlessly adjust display using Centris fingertip tilt technology. Screen angle stays set until you decide to readjust.



## SPECIFICATIONS

Depth from Wall	1.95" (50 mm)
Tilt	-15°, +5°
Lateral Shift	0.5" (13 mm)
Dimensions* (HxWxD)	5.4 x 5.33 x 1.95" (138 x 136 x 49.5 mm)
Color	Black
Weight Capacity	45 lbs (20.4 kg) stud 30 lbs (13.6 kg) drywall

\* Dimensions don't include interface bracket

## WHAT YOU NEED TO KNOW

### ORDERING OPTIONS

Available in custom and universal.

- FTRV = VESA 75 x 75 mm, 100 x 100 mm and 200 x 100 mm patterns
- FTR4100 = VESA 75 x 75 mm and 100 x 100 mm patterns

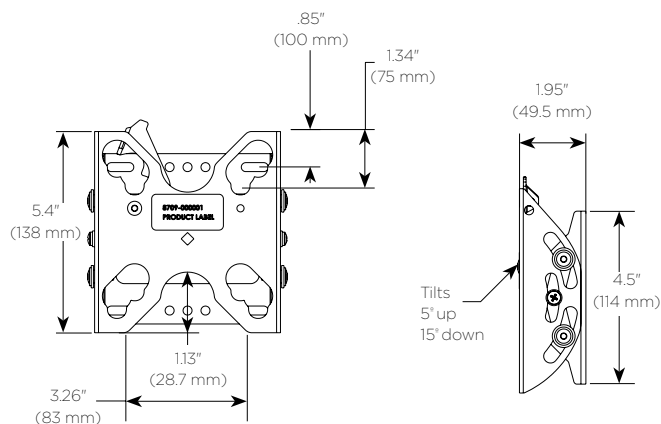
### MULTIPLE INSTALLATION OPTIONS

Choose either a single stud or drywall mounting system.

### INSTALLATION

Includes all mounting hardware.

## TECHNICAL DRAWINGS



## RECOMMENDED ACCESSORIES



**PX2W** ■ Power Outlet Conditioner

For a complete list of TV mount accessories see page 86.